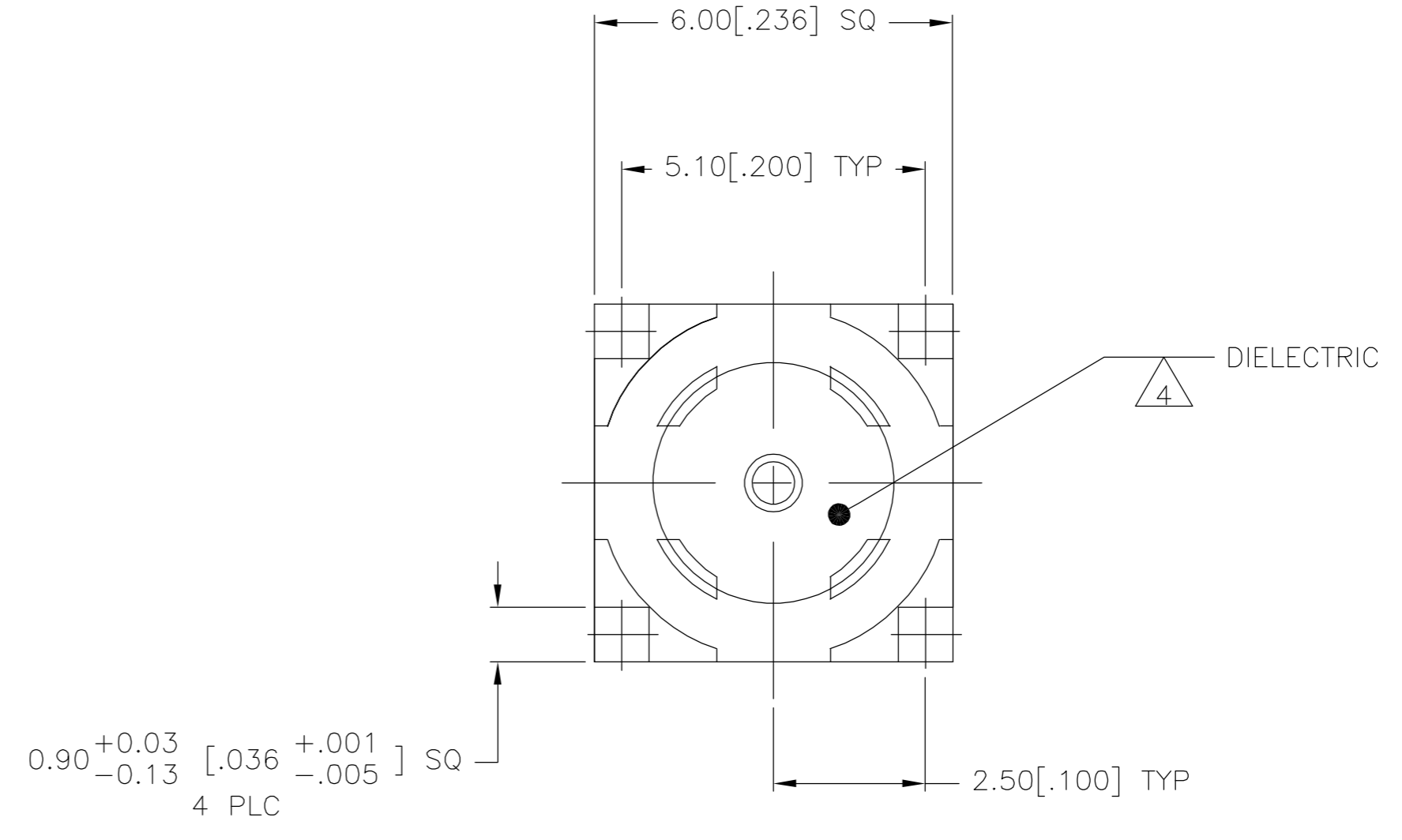
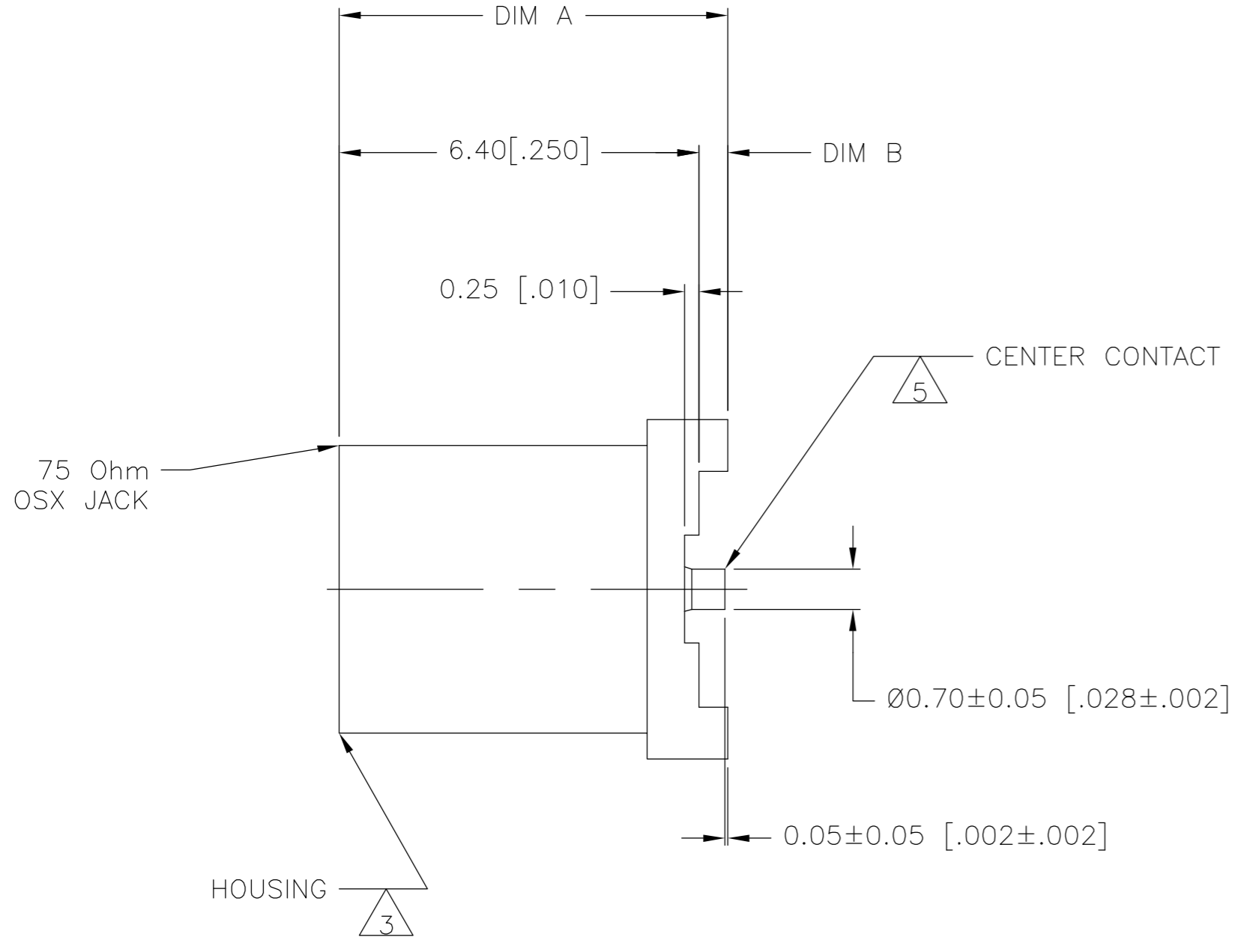


THIS DRAWING IS UNPUBLISHED. RELEASED FOR PUBLICATION
 © COPYRIGHT BY TYCO ELECTRONICS CORPORATION. ALL RIGHTS RESERVED.

LOC		DIST		REVISIONS					
AJ		00		P	LTR	DESCRIPTION	DATE	DWN	APVD
				C		REVISED PER ECO-06-027463	11DEC2006	KS	KW



- 1 GOLD PLATE PER ASTM B 488
- 2 BRIGHT NICKEL PLATE PER QQ-N-290
- 3 BRASS PER ASTM B 16
- 4 TEFLON PER ASTM D 1710
- 5 BERYLLIUM COPPER PER ASTM B 197

OBSOLETE	3.80 [.155]	10.2 [.405]	1	2	1361169-2
	0.50 [.020]	6.90 [.270]	1	2	1361169-1
	DIM B	DIM A	CONTACT	HOUSING	PART NUMBER
FINISH					

THIS DRAWING IS A CONTROLLED DOCUMENT.		DWN	10-11-00	tyco Electronics Tyco Electronics Corporation Harrisburg, PA 17105-3608																									
DIMENSIONS: mm [INCHES]		CHK	10-11-00																										
TOLERANCES UNLESS OTHERWISE SPECIFIED:		APVD	10-11-00																										
MATERIAL		FINISH																											
<table border="1"> <tr><td>0 PLC</td><td>±</td><td>-</td></tr> <tr><td>1 PLC</td><td>±</td><td>-</td></tr> <tr><td>2 PLC</td><td>±</td><td>0.20 [.008]</td></tr> <tr><td>3 PLC</td><td>±</td><td>-</td></tr> <tr><td>4 PLC</td><td>±</td><td>-</td></tr> <tr><td>ANGLES</td><td>±</td><td>-</td></tr> </table>		0 PLC	±	-	1 PLC	±	-	2 PLC	±	0.20 [.008]	3 PLC	±	-	4 PLC	±	-	ANGLES	±	-	<table border="1"> <tr><td>PRODUCT SPEC</td><td>-</td></tr> <tr><td>APPLICATION SPEC</td><td>-</td></tr> <tr><td>WEIGHT</td><td>-</td></tr> </table>		PRODUCT SPEC	-	APPLICATION SPEC	-	WEIGHT	-	NAME	MCX 75 Ohm PRINTED CIRCUIT BOARD RECEPTACLE
0 PLC	±	-																											
1 PLC	±	-																											
2 PLC	±	0.20 [.008]																											
3 PLC	±	-																											
4 PLC	±	-																											
ANGLES	±	-																											
PRODUCT SPEC	-																												
APPLICATION SPEC	-																												
WEIGHT	-																												
		SIZE	A2	CAGE CODE	00779																								
		SCALE	10:1	DRAWING NO	C=1361169																								
		CUSTOMER DRAWING		RESTRICTED TO	-																								
		SHEET	1 of 1	REV	C																								

1361169